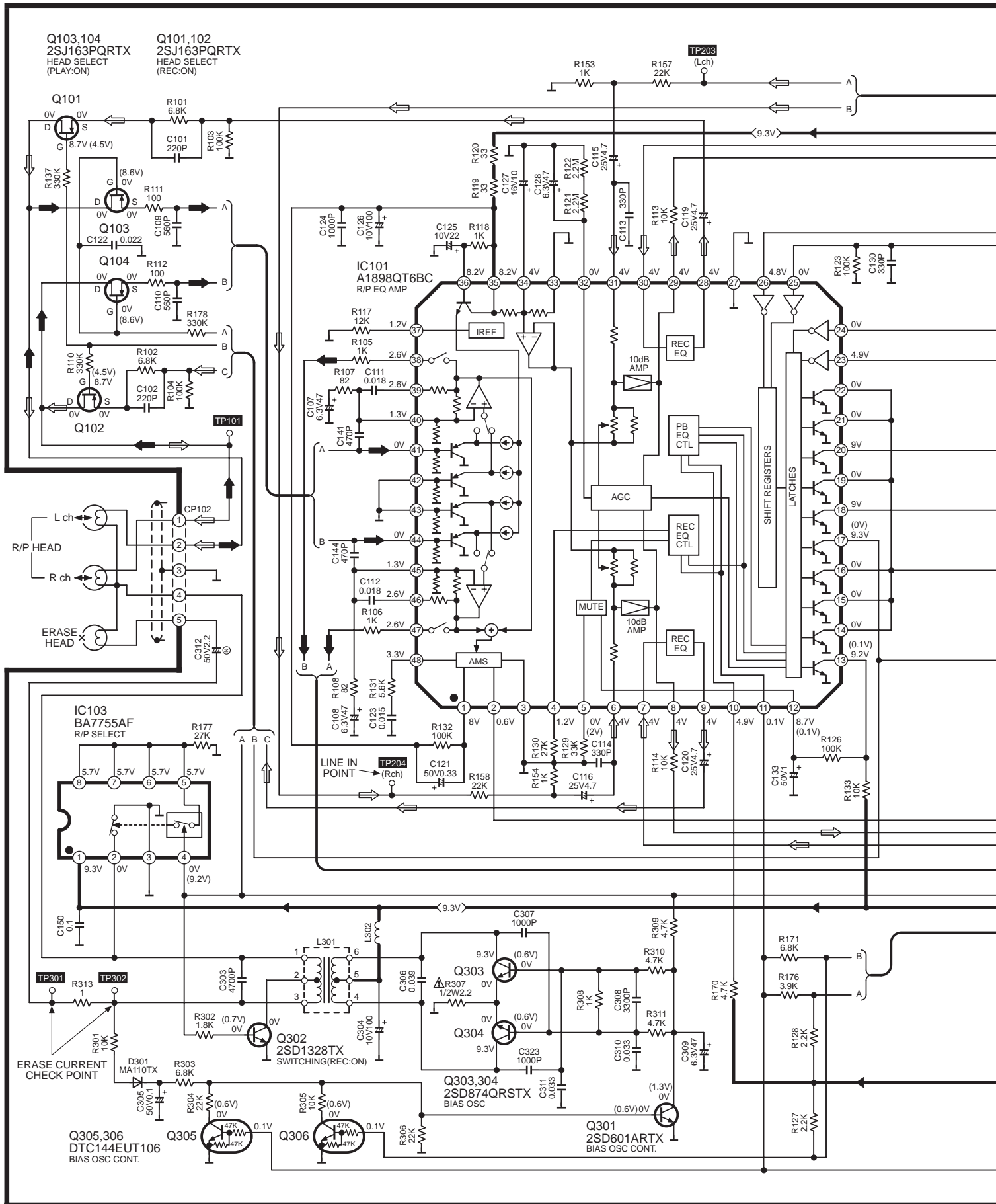


# A MAIN CIRCUIT

→ : POSITIVE VOLTAGE LINE    ⇨ : RECORDING SIGNAL LINE    ⇩ : PLAYBACK SIGNAL LINE

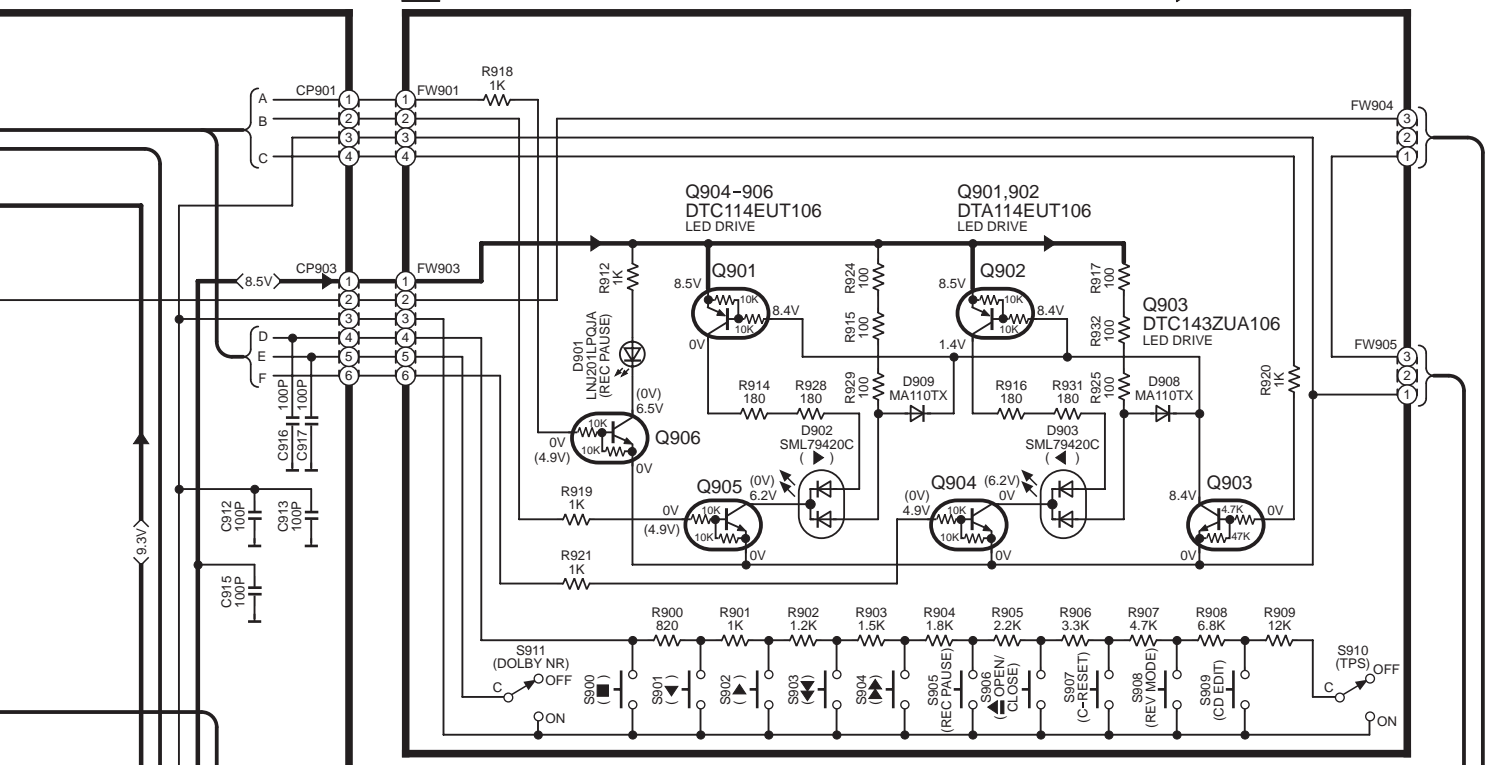




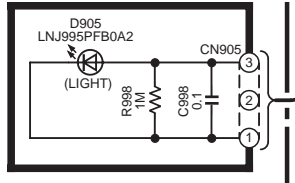


# C OPERATION CIRCUIT

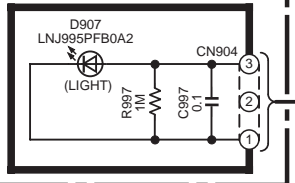
→ : POSITIVE VOLTAGE LINE  
 ⇨ : RECORDING SIGNAL LINE  
 ⇩ : PLAYBACK SIGNAL LINE



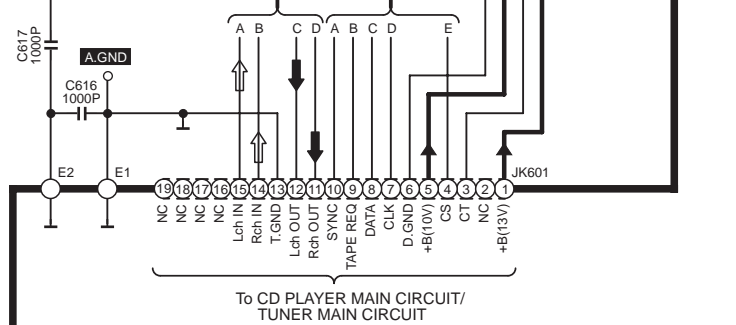
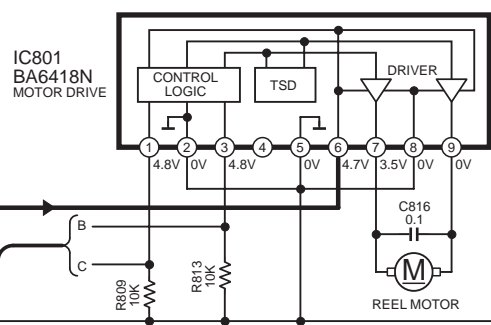
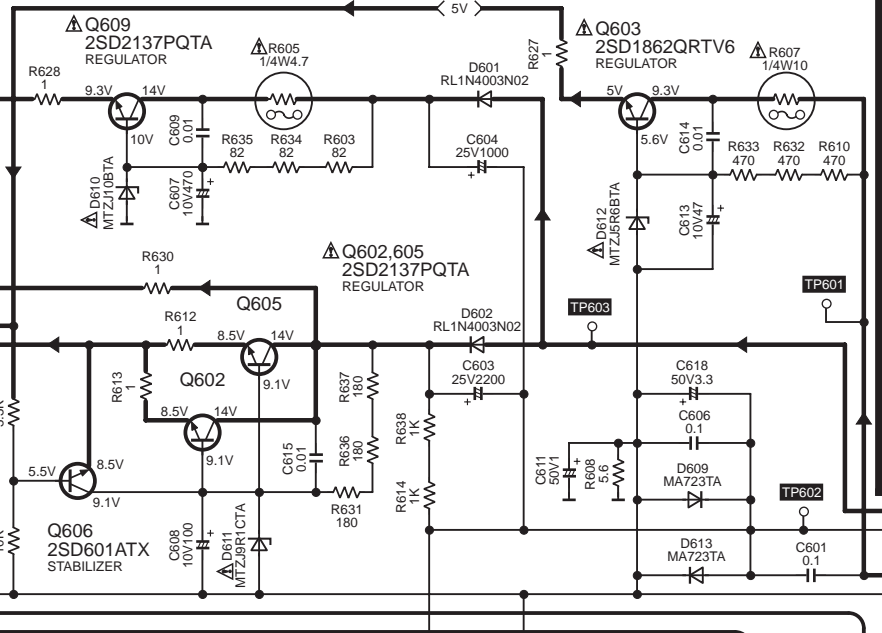
# D LED(R) CIRCUIT



# E LED(L) CIRCUIT



KEEPING TO THE RULE OF UNIT SUPPLY, WE DO NOT SUPPLY SINGLE PARTS.



To CD PLAYER MAIN CIRCUIT/  
 TUNER MAIN CIRCUIT